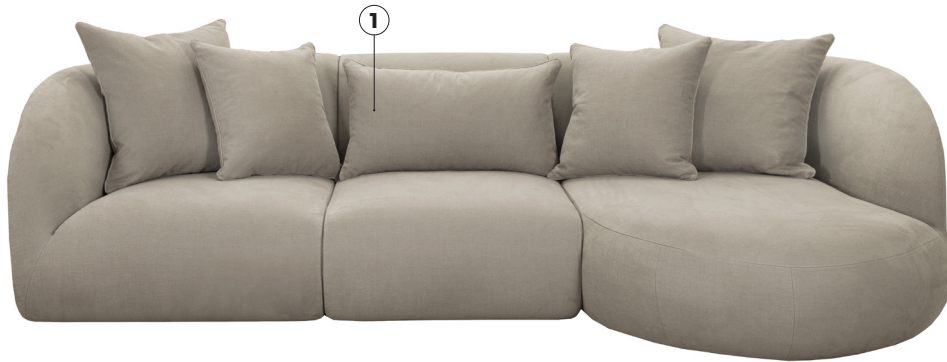


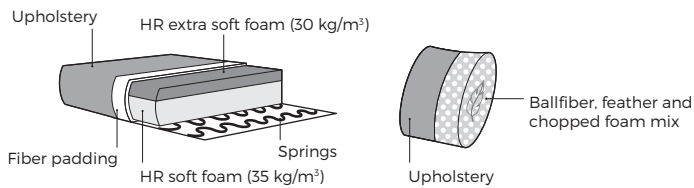
Pebble



Pebble



Comfort



1. Upholstery



2. Legs

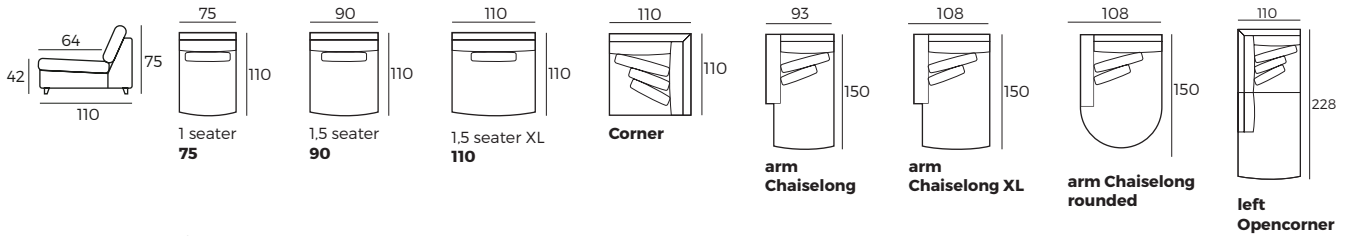


IMPORTANT:

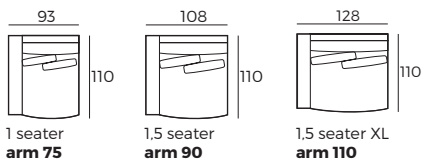
Upholstered furniture is handmade using soft materials, therefore measurements can vary in all modules by up to **+/-2cm**.
Modules and combinations shown in 2D drawings are left-sided. Modules and combinations can be mirrored from left to right.

Modules

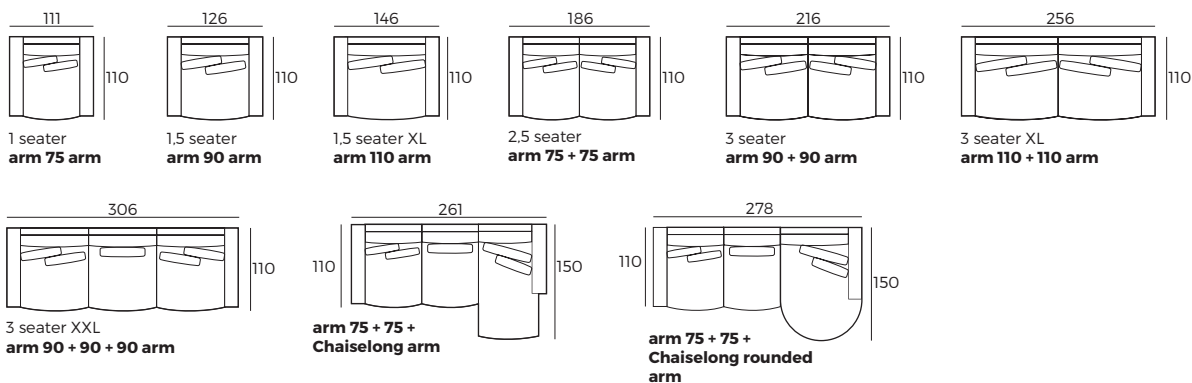
Scale 1:100



Modules with armrest



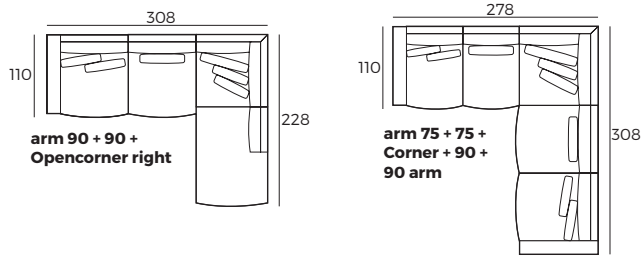
Combinations



Pebble

Combinations

Scale 1:100



Accessories

